

4

3

2

1

D

D

C

C

B

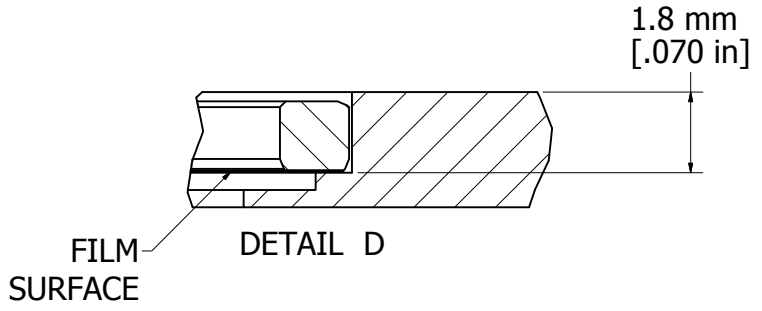
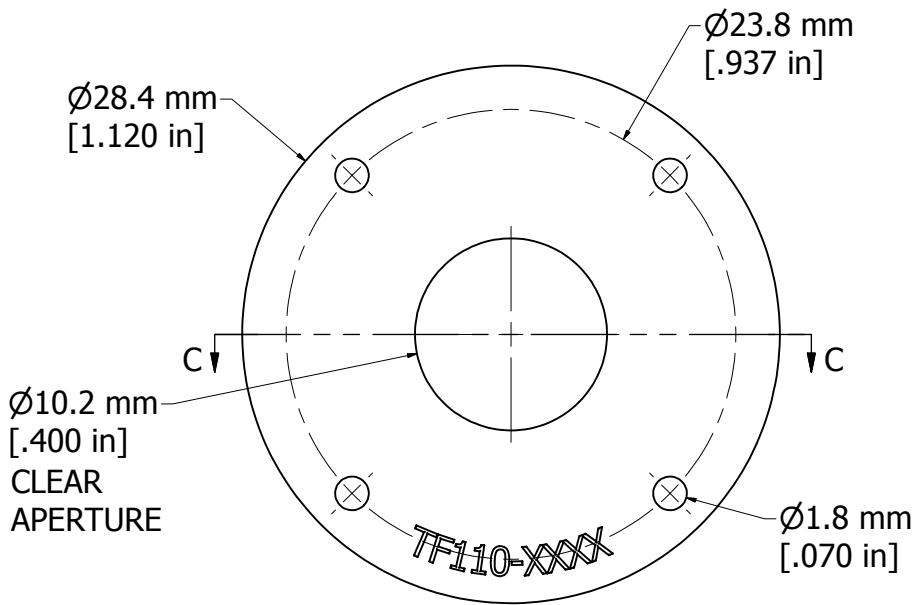
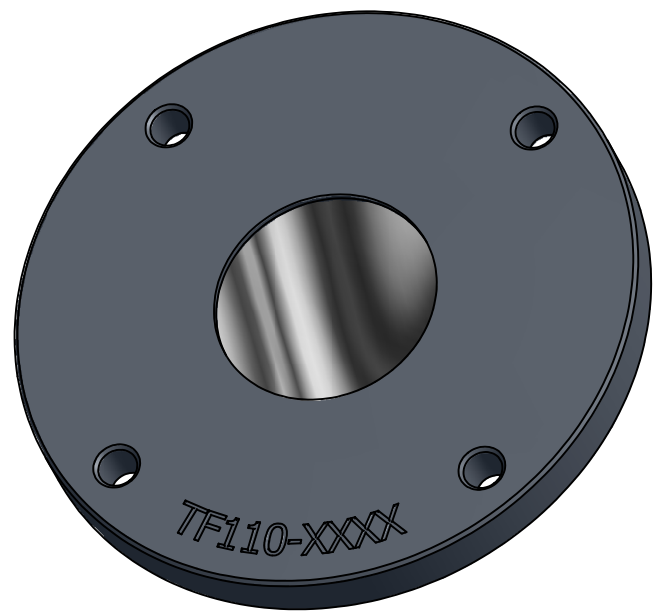
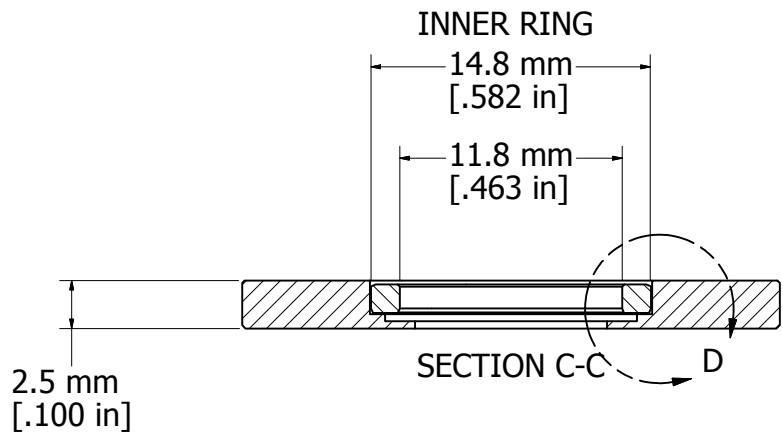
B

B

B

A

A



SERIAL NUMBER ENGRAVED PRIOR TO ANODIZE
ANODIZED PER MIL 8625 TYPE II CL II BLACK STANDARD
CUSTOM APERTURES AVAILABLE UPON REQUEST

Frame Options			
Frame	Aperture	Material	Finish
TF-110	10.2mm (.400")*	Al=6061 Aluminum*	BA=Black Anodize*
		SS=304 Stainless	NA=No Anodize
		Cu=Copper	

* Standard

How to order example: TF110-10.2-Al-BA

DRAWN JLDG	1/6/2009		Luxel Corporation	
CHECKED			PO Box 1879, 515 Tucker Ave. Friday Harbor, WA 98250 www.luxel.com	
MATERIAL *6061 T651 Al		360-378-4137 fax: 360-378-4266		
UNLESS OTHERWISE SPECIFIED, DIMENSIONS ARE IN MILLIMETERS TOLERANCES ON:		TF110 Standard Filter Frame		
DECIMALS: .X = ± 0.5 .XX = ± 0.25 .XXX = ± 0.13 ⁰ ANGLES = ± .25°	SIZE C	DWG NO TF110S	REV A	
SCALE		SHEET 1 OF 1		

4

3

4

2

1