

4

3

2

1

30mm x 1mm PITCH
OUTSIDE DIAMETER

Ø1.7 mm
[.065 in]

A ↑ ↓ A

26.5 mm
[1.043 in]

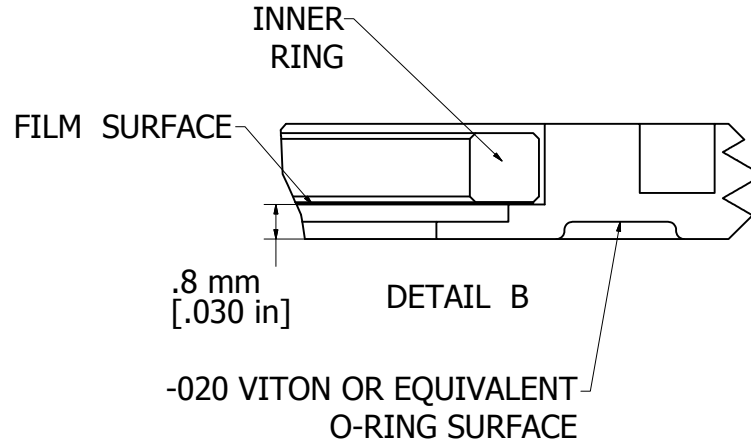
2.5 mm
[.100 in]

SECTION A-A

B

15.9 mm
[.625 in]

CLEAR APERTURE



Frame Options	
Frame	Aperture
VF111	*15.9mm (.625")
	10.2mm (.400")
	19mm (.748")

* Standard

How to order example: VF111-15.9
Fits VAT Series 010 Mini UHV Valve

DRAWN JLDG	5/6/2005
CHECKED	
MATERIAL 304 ss	
UNLESS OTHERWISE SPECIFIED, DIMENSIONS ARE IN MILLIMETERS TOLERANCES ON:	
DECIMALS: .X = ± 0.5	
XX = ± 0.25	
XXX = ± 0.13 ⁰	
ANGLES = ± .25°	

LUXEL Luxel Corporation
 PO Box 1879, 515 Tucker Ave.
 Friday Harbor, WA 98250
 www.luxel.com
 360-378-4137 fax: 360-378-4266

Window Insert For VAT Series 010 Valve

SIZE C	DWG NO VF111S	REV A
SCALE	SHEET 1 OF 1	

4

3

4

2

1

D

D

C

C

B

B

A

A